

WINDOW SYSTEMS

SERIES 8000 SINGLE HUNG WINDOW

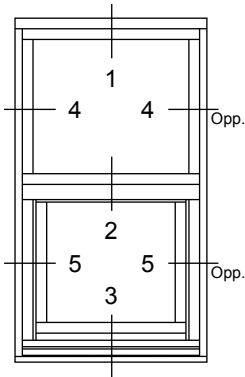


- Tested to AAMA CW60
- Thermally Insulated-NFRC Certified
- U-Factors as Low as 0.34
- 4-1/2" (114 mm) Deep Frame to Match Typical
- Choice of Block or Fin Frame
- 1" (25 mm) Glazing
- Class 5 Balance for Ease of Operation
- Accessories Like Screens, Mulling Bars, Subsills, Head and Jamb Channels are Available
- Available in an Array of Architectural Coatings and Anodized Finishes
- Complimented by the **8200** Horizontal Sliding and **8100** Fixed Windows

The 8000 Single Hung Window uses a Class 5 Balance for smooth operation. The 4-1/2" (114 mm) deep frame is designed to match typical building conditions, including our entrances and storefront. An efficient thermally insulated frame accepts 1" (25 mm) glazing, with extruded pulls at the interlock and bottom rail. The window features a self-locking latch.



8000 SINGLE HUNG WINDOW TYPICAL DETAILS



Meets or Exceeds specifications:

- AAMA/WDMA/CSA 101/1.S.2/A 440 -08
 - ASTM E 283-04
 - ASTM E 330-02
 - ASTM E 331-00
 - AAMA 1503
- NFRC - NFRC 100-2004
 - NFRC 200-2004
 - NFRC 500-2004

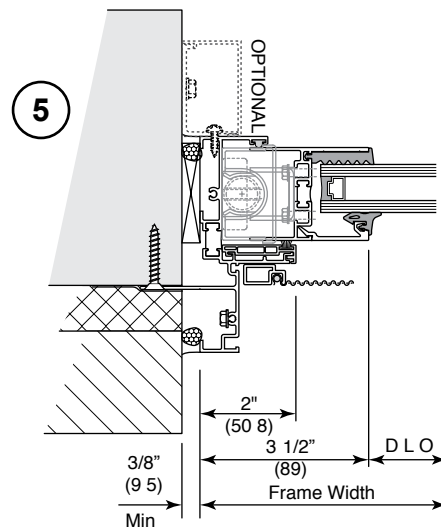
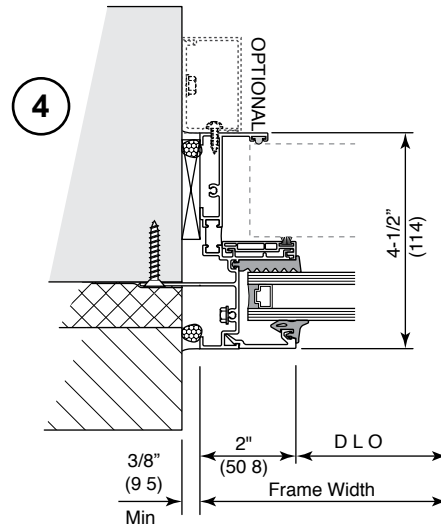
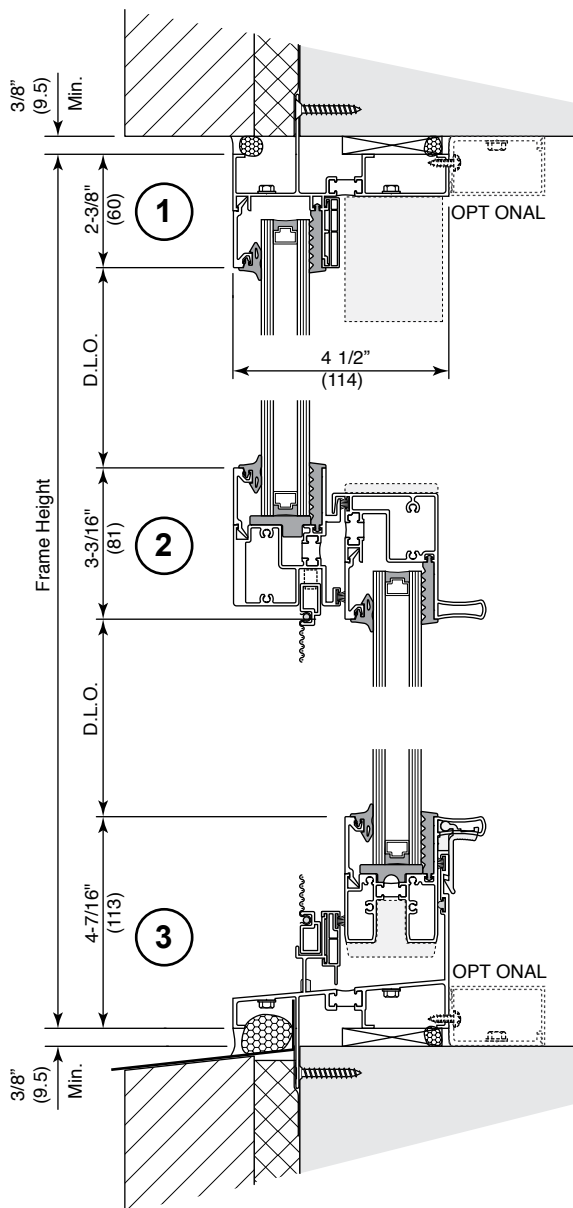
Anchor Flange
Installation
Method Shown

Maximum Frame Size
65" x 91" (165 x 231 mm)

A complete set of
details in DWG
format is available at
usalum.com

NOTE:

- 1" (25 mm) Glazing Shown
- 1-1/32" (26 mm) Glazing For DoD Blast
- 1-5/16" (33 mm) Glazing For
Hurricane Resistance



NOT TO SCALE